

LED TUBULAR PROJECTOR FOR SWIMMING POOL – WHITE LIGHTING



Model : 502778
Type : 18 LED 2835 / 120°
Colour : cold white 6500K
Control : On/Off
Functions : N/A
Material : Polycarbonate (PC)
1,5" thread to screw in vacuum fitting
Wire connection : None
2 meters H05RNF wire 2x1,0mm² welded on electronic board
HS code : 9405421000
Bar code : 3700450502778

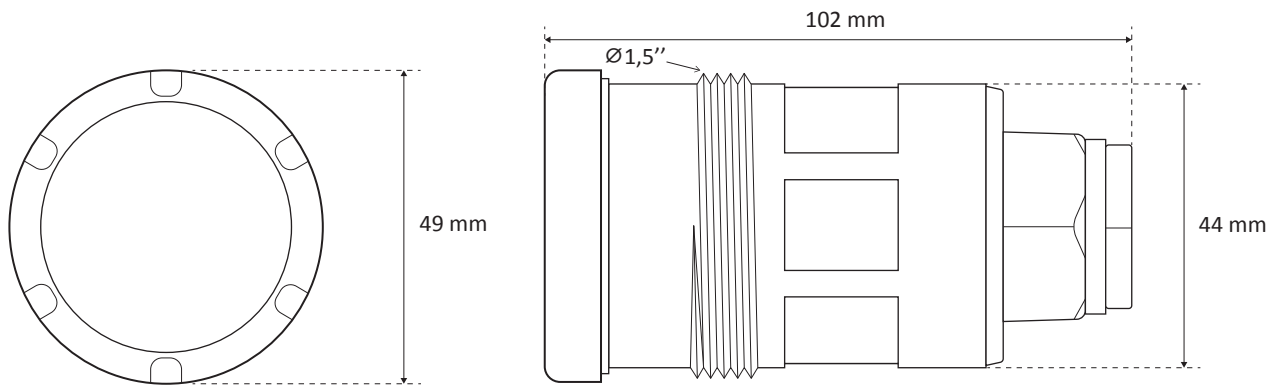
Option :

- Inground pool installation kit (#501368)
- Above ground pool installation kit (#501009)
- F2"/M2" extension fitting (#501054)

CONTENTS OF THE PACKAGING



DIMENSIONS



PACKING

Part Number	Box	Weight	Size	Carton	Weight	Size	Pallet	Weight	Size
502778	1U	0,45kg	15x15x15cm	6U	3,4kg	47x32x16cm	540U	316kg	100x120x167cm

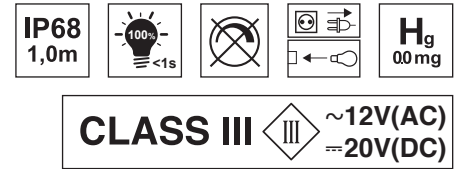
PHOTOMETRY

Ra (IRC) : 84
 Beam angle : 120°
 Nominal luminous flux : 680 lumens max.
 Extractable light source : ALP04
 Light source energy class : E
 This swimming pool luminaire contains an extractable LED light source of type ALP04 and energy class (E)



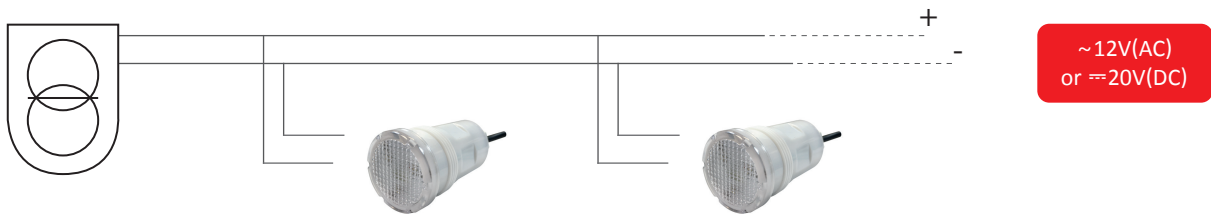
ELECTRICAL PARAMETERS

Instant power max : 5,50W
 Input voltage : ~12V(AC) 50/60Hz or =20V(DC)
 PF max : 0,7 if ~12V(AC)
 PF max : 1 if =20V(DC)
 Mini power supply ~12V(AC) [(Pi /PF)+20%] : 10VA
 Electric class : III



CONNECTION

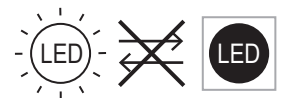
Use a 2 x 1mm² minimum cross section of connecting cable, to adapt according to the distance between the junction box of the projector and the transformer well as the power input.



USE ONLY WITH A SAFETY TRANSFORMER / DO NOT PLUG IN SERIES /
 PROTECT THE CONNECTOR WITH INSULATING GEL

OTHER PARAMETERS

Protection index : IP68
 LED life span : > 10 000h
 On/Off cycles : > 100 000
 Use : This pool light is designed for use in permanent immersion in water with a IP68 waterproof rating. The spin welding assembly process of the optical part with its support, does not allow its reparability. The light source is not replaceable and in case of failure, it is necessary change all the luminaire.



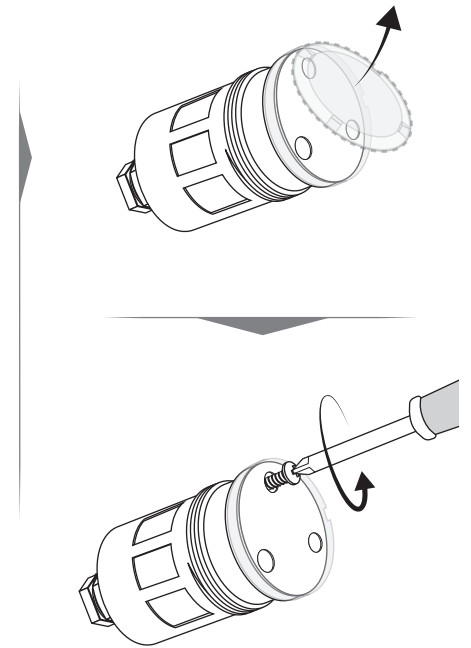
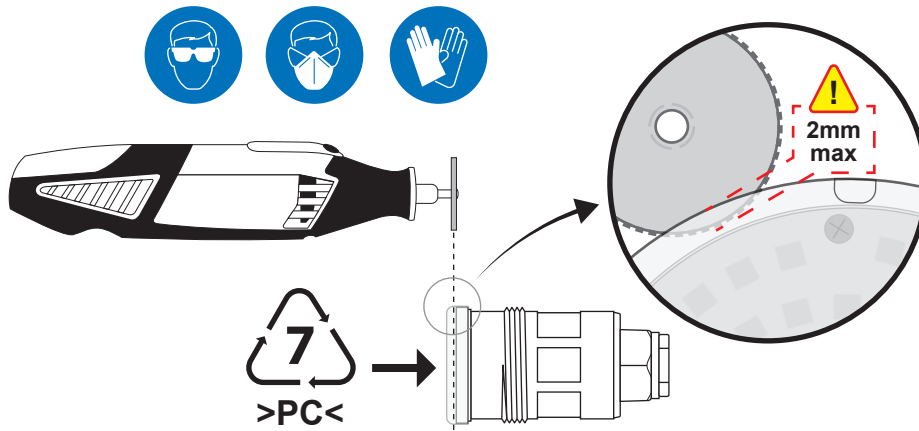
CERTIFICATION

EMC 2014/30/EU Directive.
 EN60598-1 / EN60598-2-18 Norm in all its modifications.
 EMC Regulations 2016 (UK).
 Electrical Equipment Regulations 2016 (UK).

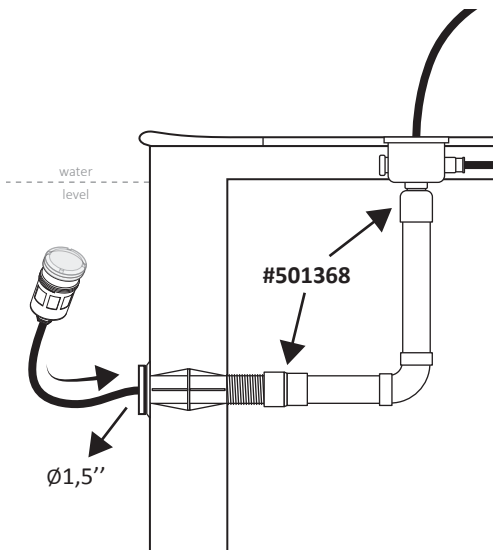


VARIOUS

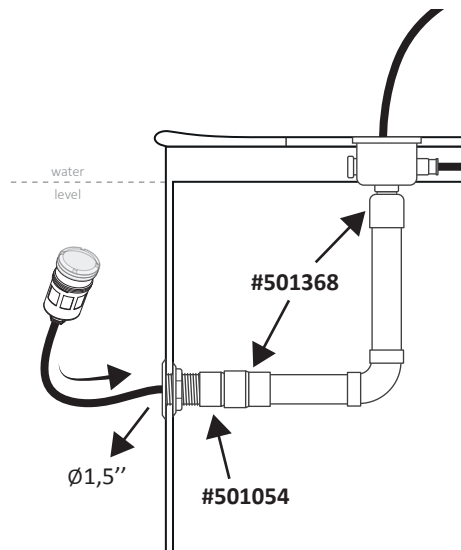
To extract the light source, please follow the instructions below :



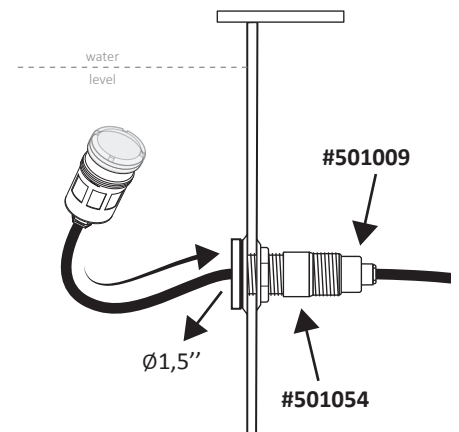
PRINCIPLE OF INSTALLATION



Example for in-ground pools with liners



Example for thin-walled in-ground pools



Example for above-ground pools

For more information, see the product leaflet